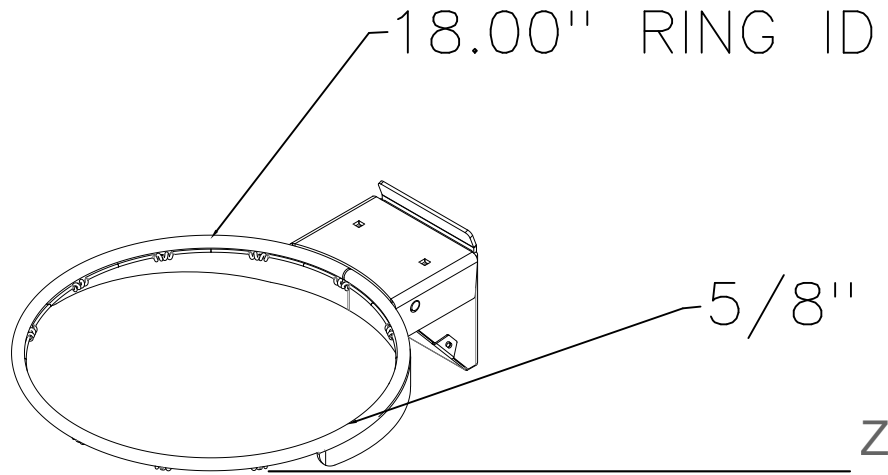


FIRST TEAM SPORTS INC.
HUTCHINSON, KS 67501

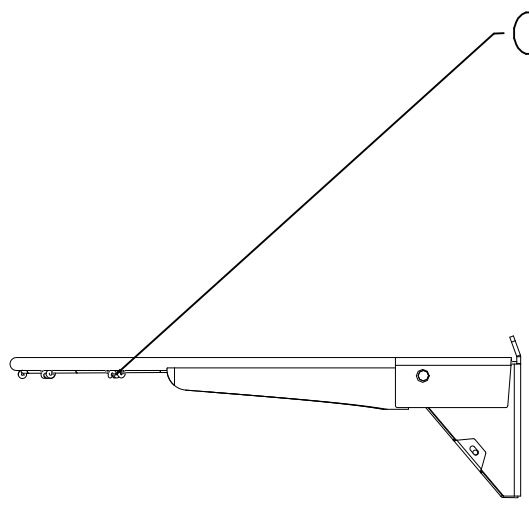
FT186ZC BASKETBALL GOAL PRODUCT SUBMITTAL

First Team Dealer: Tom Nicotera
Toll Free: 877-272-5430 / Cell: 858-692-1532
www.institutionalsportsequipment.com



5/8" DIAMETER STEEL RING

Zinc undercoat with orange powder coat exterior coating for superior rust resistance.



CONTINUOUS NET LOCKS

