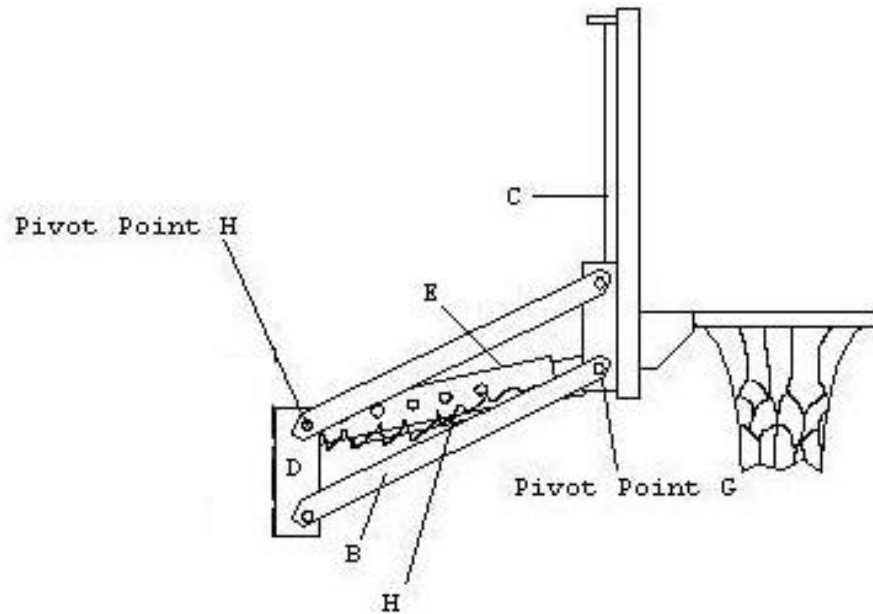


# FIRST TEAM SPORTS, INC

## Uni-Champ Extension Arm Assembly Instructions



### Bill of Materials

A (4) 5/16" Hex Nut

B (4) Extension Arm

C (1) I-Frame Backboard Support

D (1) Extension Arm Support

E (1) Insta- Just Bracket

F (4) 5/16" Lock washer

G (2) 4" U-Bolt

H (1) Lift Spring

I (4) 1/2" Lock washer

J (4) 1/2" Hex Nut

K (4) 1/2" x 10" Hex Bolt

L (4) 1/2" Locknut

M (8) 1/2" Nylon Flat washer

N (4) 5/16" x 1" Machine Bolt

O (4) 5/16" Flat washer

**NOTE: Immediately unpack all components and cross check against bill of materials. Report any shortages to First Team customer service at 1-888-884-6677.**

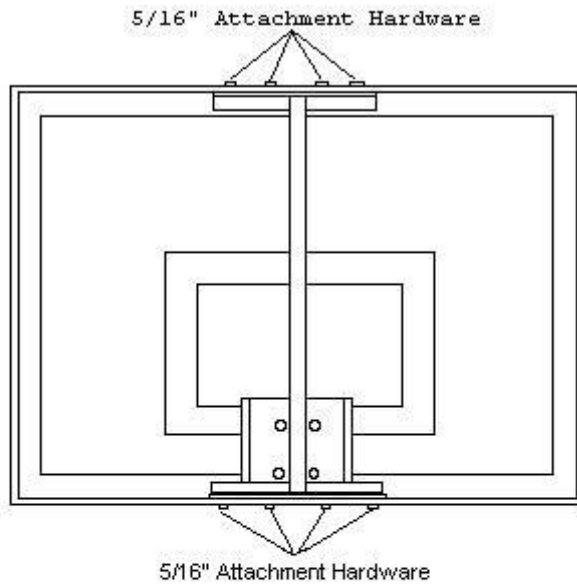
**ONCE EXTENSION ARM SUPPORT (PART D) IS CONNECTED TO UNI-STRUT BRACKET, PROCEED WITH FINAL ASSEMBLY INSTRUCTIONS BELOW.**

1. Loosely attach the lower two extension arms to the extension arm support using a ½"x 10" hex bolt, ½" locknut and (2) ½" nylon flat washers. (Flat washers fit between extension arm support and extension arms to prevent paint rubbing) Then, attach the upper two extension arm to the extension arm support as described above, while doing so make sure to also attach the Insta-Just bracket using the same ½"x 10" hex bolt as shown on Figure A. Figure C indicates which end to attach to Pivot Point H. The Insta-Just bracket should be installed with the open side facing down.
2. Attach the I-Frame Backboard support to the lower set of arms (I-Frame should be "FACE FORWARD") using a ½"x 10" hex bolt, locknut and nylon flat washers. ATTENTION: Make sure to also bolt Insta-Just bracket to Pivot Point G at this time. It fits on the ½" hex bolt located at pivot point G (see figure A) and straddles the 1" square tubing support at the bottom of the I-Frame. Note: Insta-Just bracket should be installed with the open side pointing down. Next, attach the upper set of extension arms to the I-Frame backboard support as described above.  
**NOTE: DETERMINE IF YOU HAVE A TEMPERED GLASS BACKBOARD OR CLEAR ACRYLIC BACKBOARD!!! If you purchased a TEMPERED GLASS backboard (FT216 or FT221) your backboard should have been provided with (4) rim grommets located in the rim holes in the glass. If the grommets are not in the holes look in the box, if you cannot locate them DO NOT PROCEED WITH INSTALLATION, call First Team immediately, 1-888-884-6677. If you have a clear ACRYLIC backboard (FT210, FT215 or FT220) your backboard is provided with (2) rubber gaskets instead of grommets mentioned above.**
3. Remove and discard the plastic shipping block currently located at the backboard joint. Hang the backboard on the I-Frame as shown in Figure B. Then, using the 5/16" hardware provided with the backboard frame, bolt the Backboard I-Frame support to the center four holes located at the top of your backboard as shown in Figure B. DO NOT TIGHTEN 5/16" HARDWARE AT THIS TIME. Leave the nuts loose, they will be tightened at the end of the installation.
4. Next, loosely attach the bottom of the I-Frame to the aluminum frame in the backboard as shown in Figure B using the 5/16" hardware provided in your hardware pack.
5. Attach desired rim with the hardware provided in the rim box. IF YOU HAVE AN ACRYLIC BACKBOARD place one rubber gasket (included with the backboard) between the face of the backboard and the backplate of the rim, the other should be placed between the Backboard I-Frame support and the backside of the backboard. Trim gaskets if necessary. IF YOU HAVE A TEMPERED GLASS BACKBOARD, make sure all four rim grommets are inserted into the four holes in the glass, these grommets will prevent the glass from being crushed when you tighten the rim bolts.
6. Tighten the 5/16" hardware holding the I-Frame Backboard Support to the Aluminum Backboard frame discussed above in step 4 & 5. (see Figure B) It is best to tighten the four 5/16" bolts at the bottom of the backboard before doing the top.
7. Tighten all bolts. Make sure rim is level to board, etc.

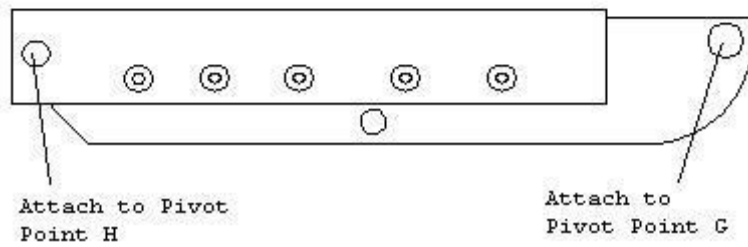
8. With the rim height adjusted all the way up, attach one lift spring from pivot point G to pivot point H. If you purchased a Uni-Champ III, Uni-Champ Select, Uni-Champ Turbo, Uni-Champ Nitro Or Uni-Champ Eclipse package you should have received 2 lift springs, attach one on either side of the Insta-Just bracket.

Helpful Tip: You may find it helpful to loop a rope over pivot point H and attach it to one end of the spring. Then with the spring already attached to pivot point G pull down on the rope, extending the spring until it hooks itself over pivot point H.

**Figure B**



**Figure C**



### **ADJUSTING THE RIM HEIGHT**

Your Uni-Champ series adjustable basketball system is adjustable from regulation 10' down to as low as 7 1/2' in 6-inch increments.

To adjust the rim height, simply place a broomstick into the adjustment mechanism's cup shaped notch located on the backside of the backboard directly behind the rim.

Press firmly upward. You will hear a click and the weight of the backboard will be transferred to the broomstick.

Slowly and carefully, lower the stick allowing the backboard and rim to fully descend to its lowest point (7 1/2')

Remove pole.

### **TO RAISE UNIT TO VARIOUS RIM HEIGHTS**

Place a broomstick under the bottom of backboard (NOT INTO THE ADJUSTMENT MECHANISM). Press firmly upward causing the backboard to raise.

You will hear a click each time the rim moves up 6". Stop lifting once you achieve the appropriate rim height.

Remove pole.

**FIRST TEAM SPORTS, INC.  
902 COREY ROAD  
HUTCHINSON, KS 67501  
TOLL FREE: 888-884-6677**