

Wall Padding Cover

FIG. 2

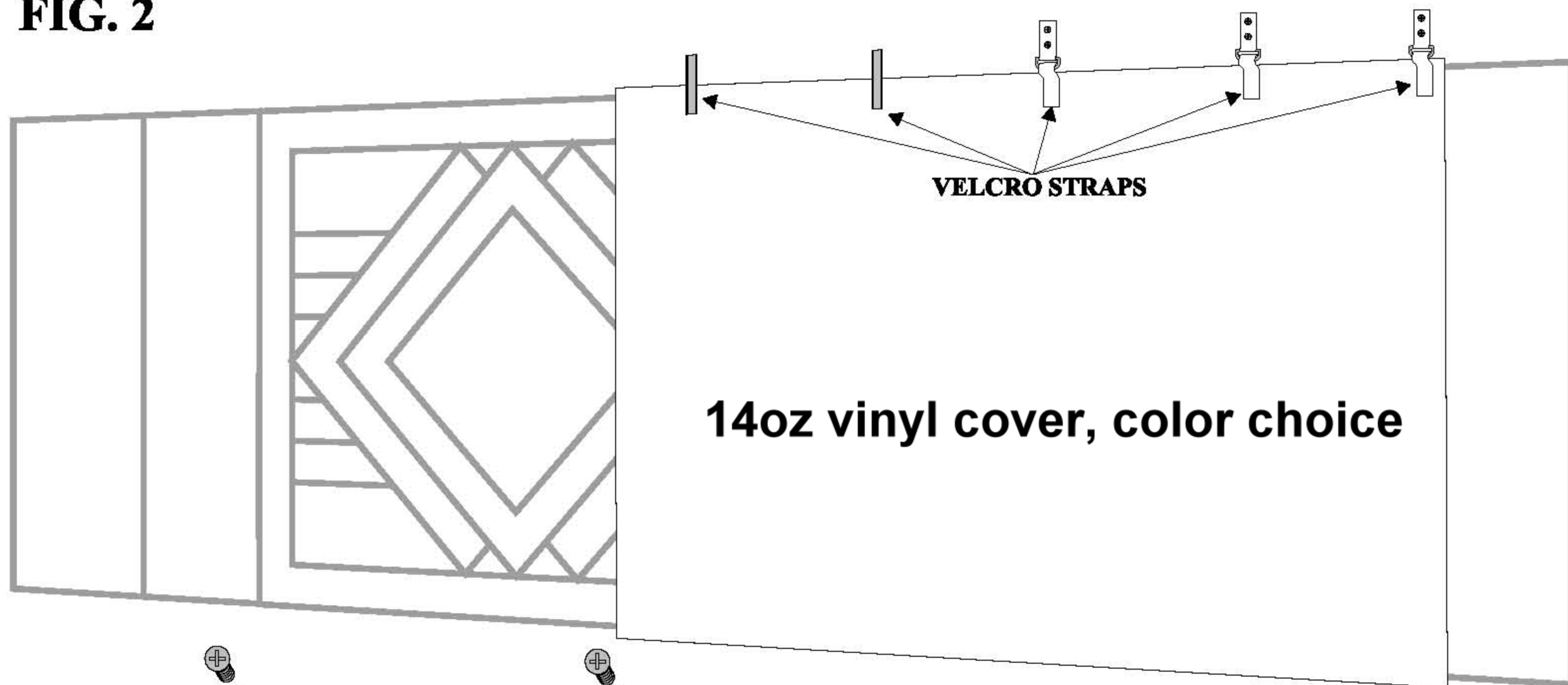


FIG. 1



- 1) Attach D-ring strap to wall $\frac{1}{2}$ " above wall mat. (Pre-drill and attach using $1\frac{1}{4}$ " masonry screws provided.) Fig.1
- 2) Slide strap through D-ring to attach cover. Fig.2