

FIRST TEAM SPORTS INC.  
HUTCHINSON, KS 67501

First Team Dealer: Tom Nicotera  
Toll Free: 877-272-5430 / Cell: 858-692-1532  
www.institutionalsportsequipment.com

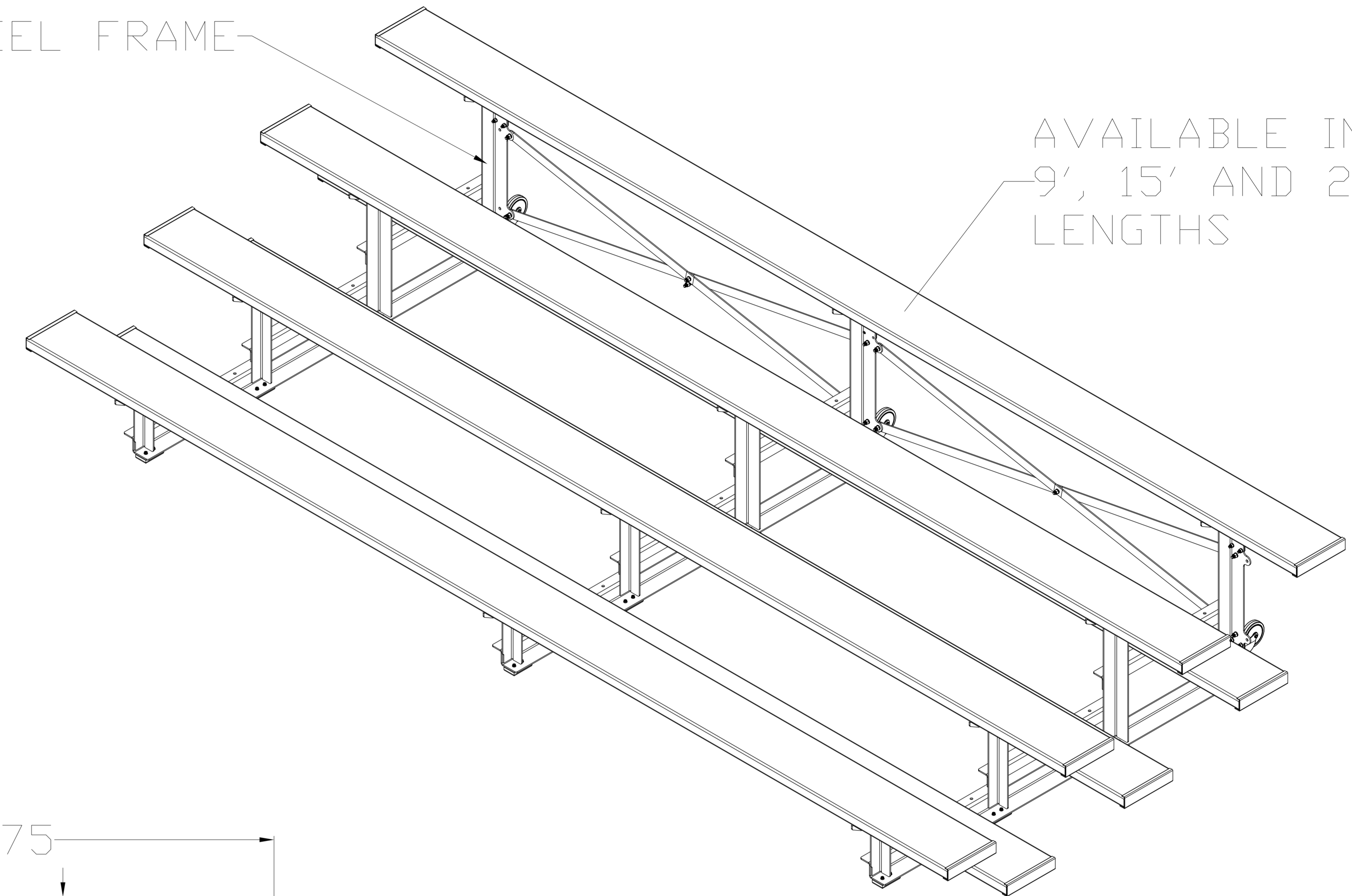
FT FANSTAND 4 ROW INDOOR  
TIP-IN-ROLL BLEACHER  
PRODUCT SUBMITTAL

BLACK POWDER COATED STEEL FRAME

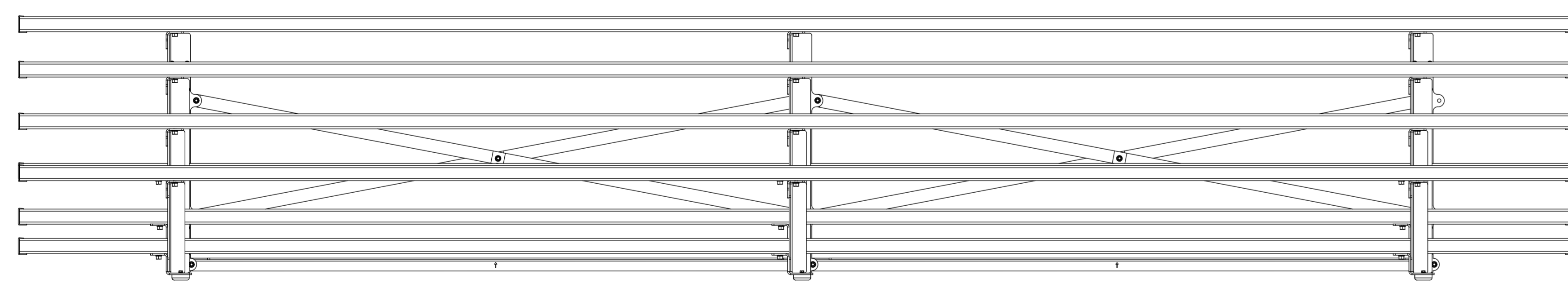
AVAILABLE IN  
9', 15' AND 21'  
LENGTHS



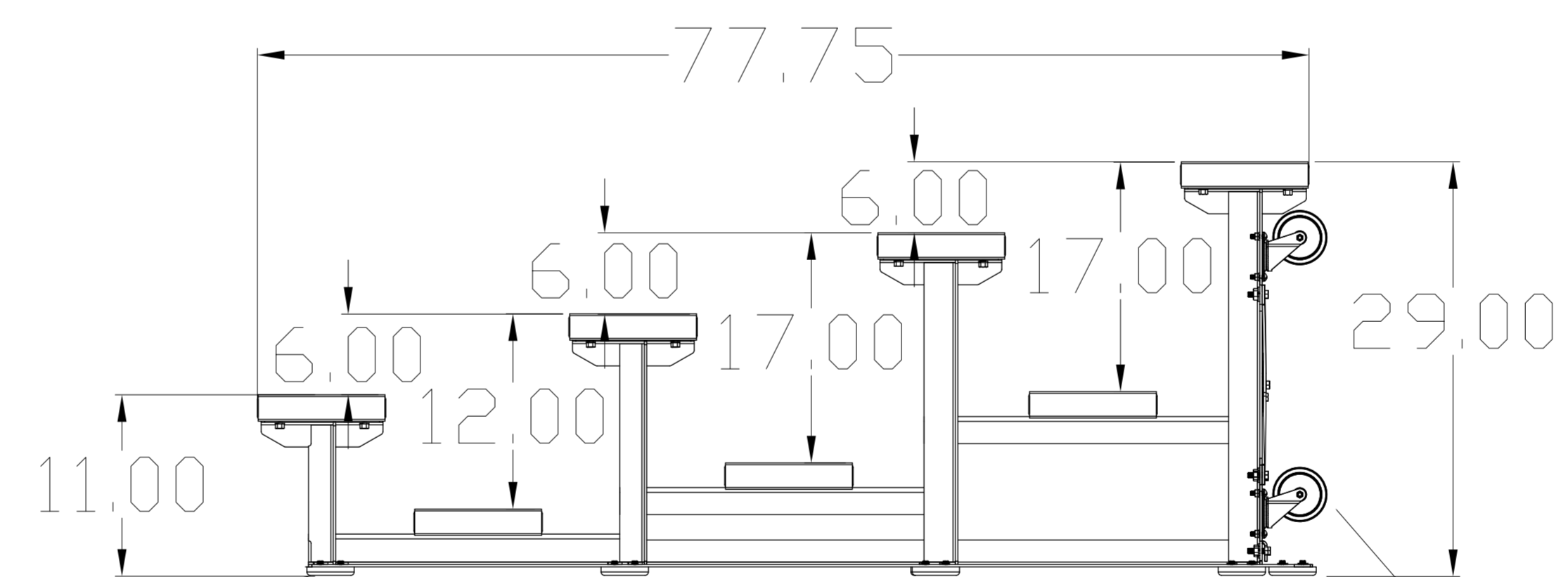
ALUMINUM END CAPS



9.5" WIDE CLEAR ANODIZED ALUMINUM PLANKS



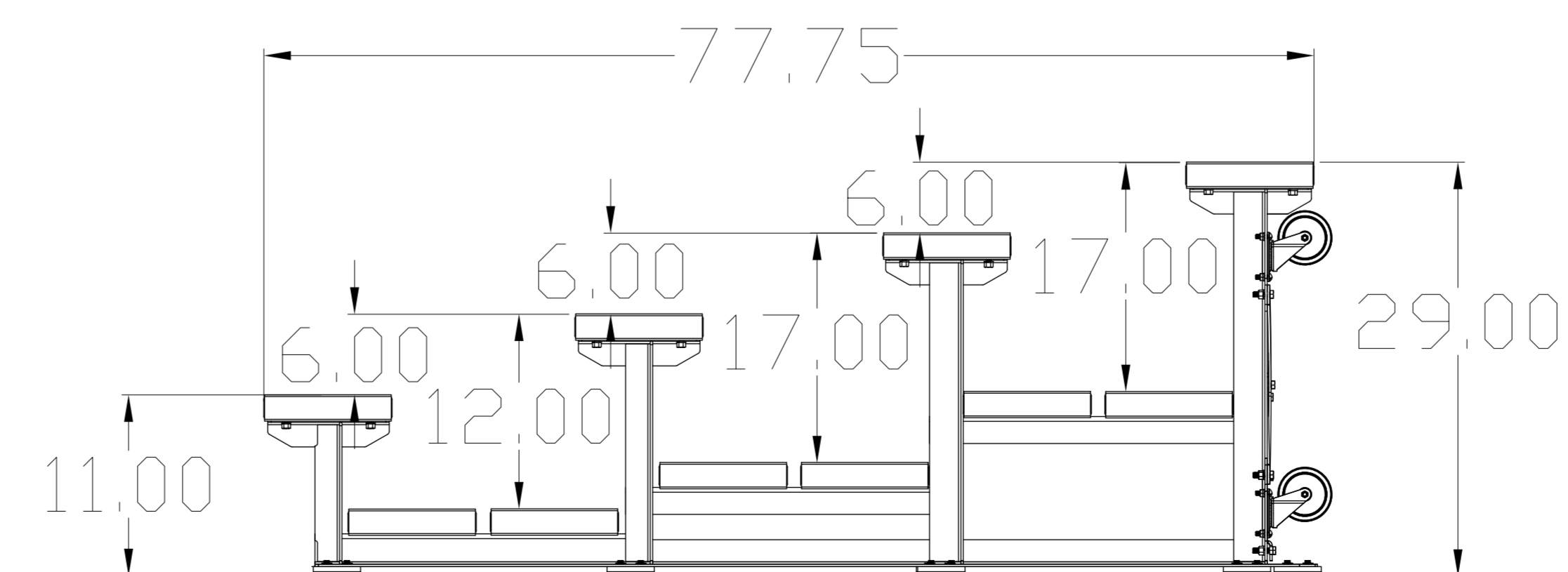
NON MARKING RUBBER FOOTPADS



SINGLE FOOTPLANK OPTION

4" WHEELS

CUSTOM COLORED PLANKS AVAILABLE UPON  
REQUEST FOR AN ADDITIONAL CHARGE



DOUBLE FOOTPLANK OPTION