

FIRST TEAM SPORTS INC.  
HUTCHINSON, KS 67501

First Team Dealer: Tom Nicotera  
Toll Free: 877-272-5430 / Cell: 858-692-1532  
www.institutionalsportsequipment.com

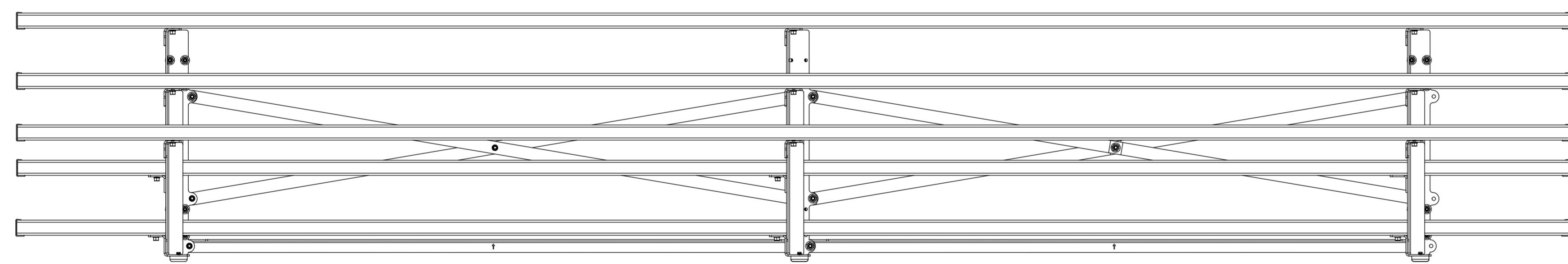
FT FANSTAND 3 ROW INDOOR  
TIP-IN-ROLL BLEACHER  
PRODUCT SUBMITTAL

BLACK POWDER COATED STEEL FRAME



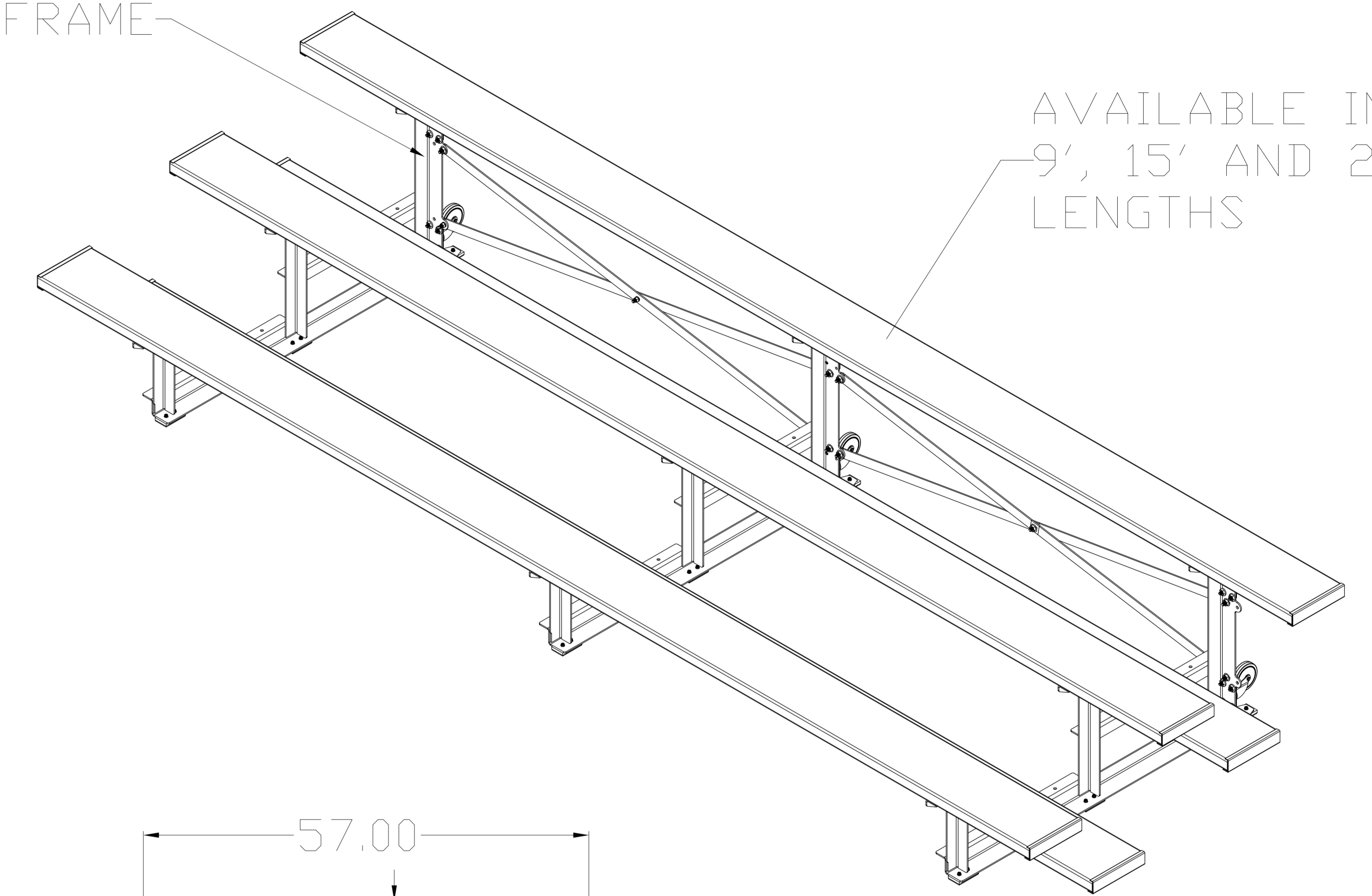
ALUMINUM END CAPS

9.5" WIDE CLEAR ANODIZED ALUMINUM PLANKS

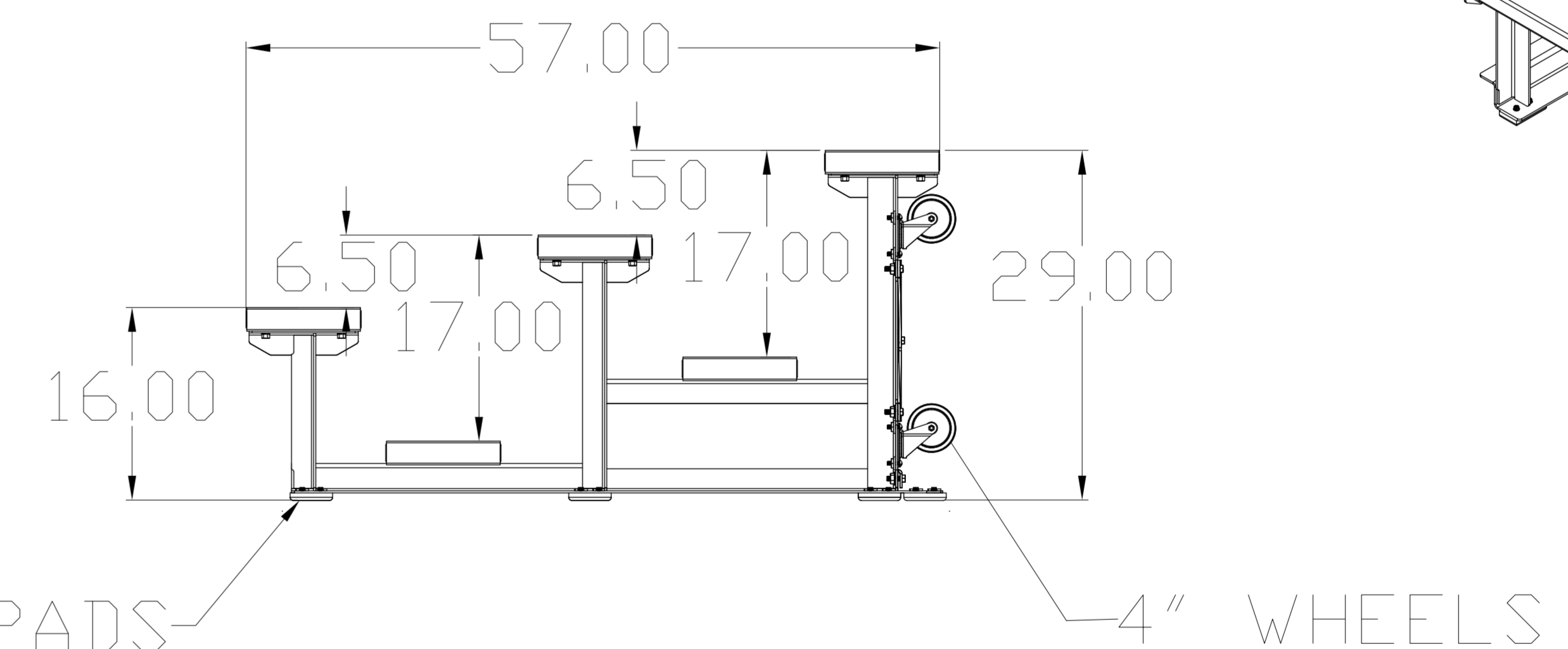


NON MARKING RUBBER FOOTPADS

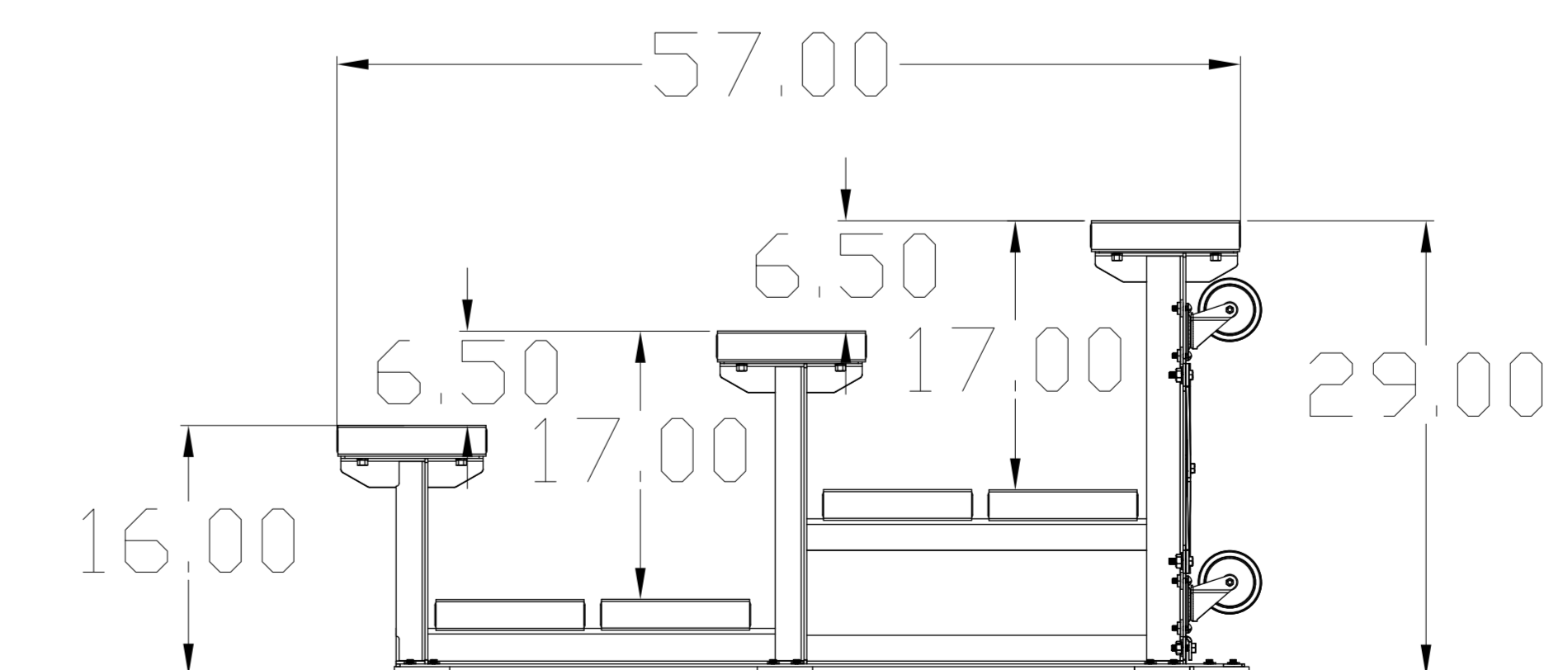
CUSTOM COLORED PLANKS AVAILABLE UPON  
REQUEST FOR AN ADDITIONAL CHARGE



AVAILABLE IN  
9', 15' AND 21'  
LENGTHS



SINGLE FOOTPLANK OPTION



DOUBLE FOOTPLANK OPTION