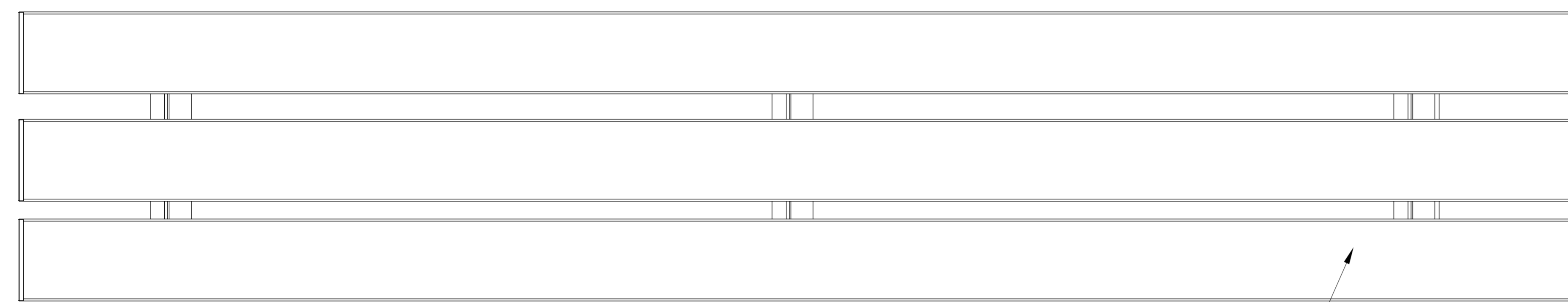


FIRST TEAM SPORTS INC.
HUTCHINSON, KS 67501

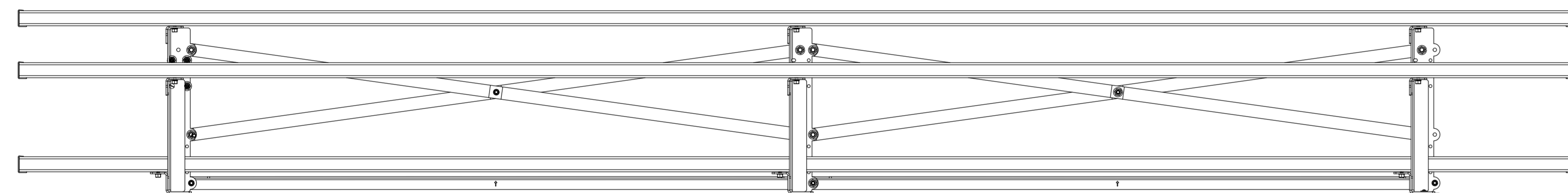
First Team Dealer: Tom Nicotera
Toll Free: 877-272-5430 / Cell: 858-692-1532
www.institutionalsportsequipment.com

FT FANSTAND 2 ROW INDOOR
TIP-IN-ROLL BLEACHER
PRODUCT SUBMITTAL

BLACK POWDER COATED STEEL FRAME

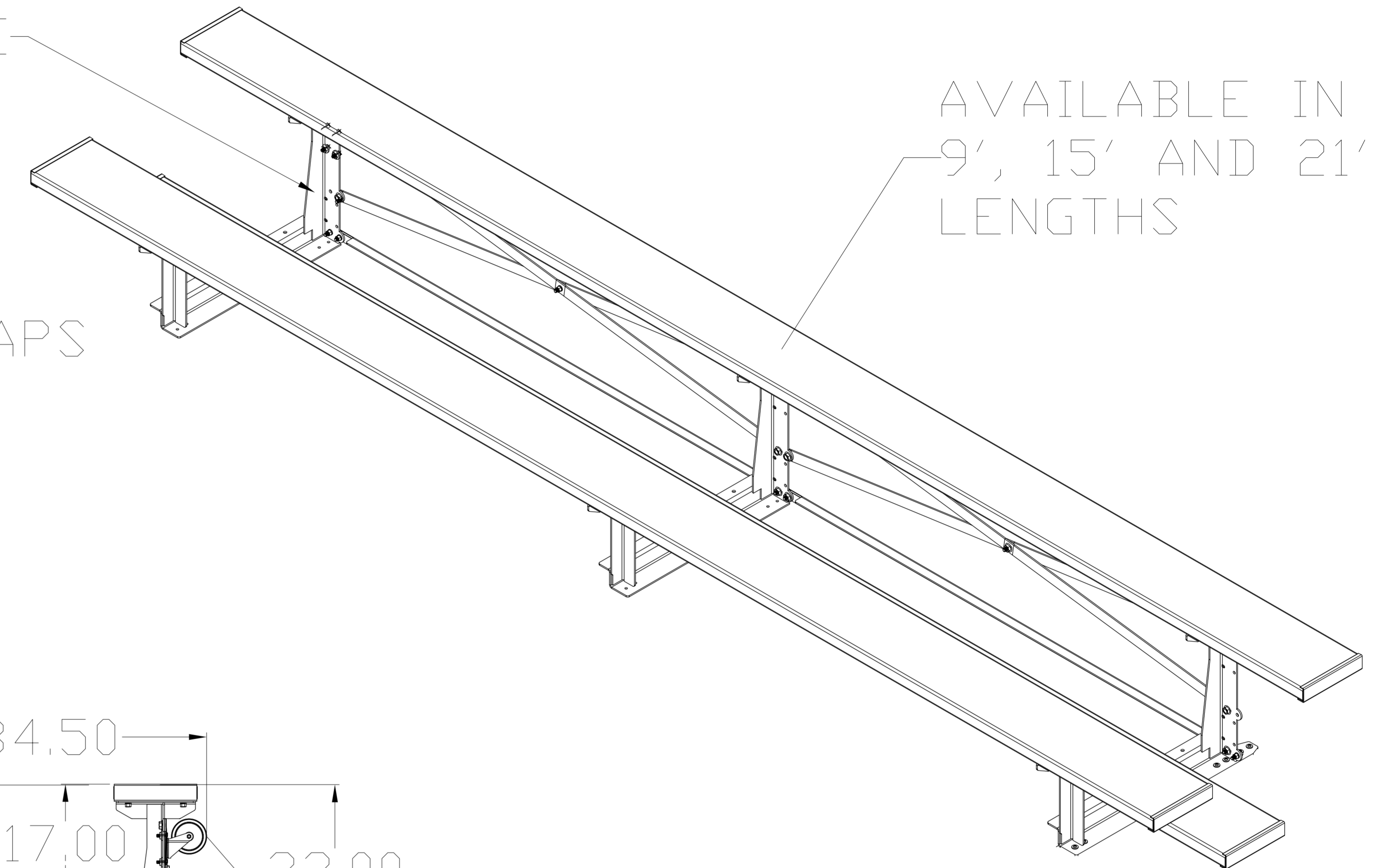


9.5" WIDE CLEAR ANODIZED ALUMINUM PLANKS

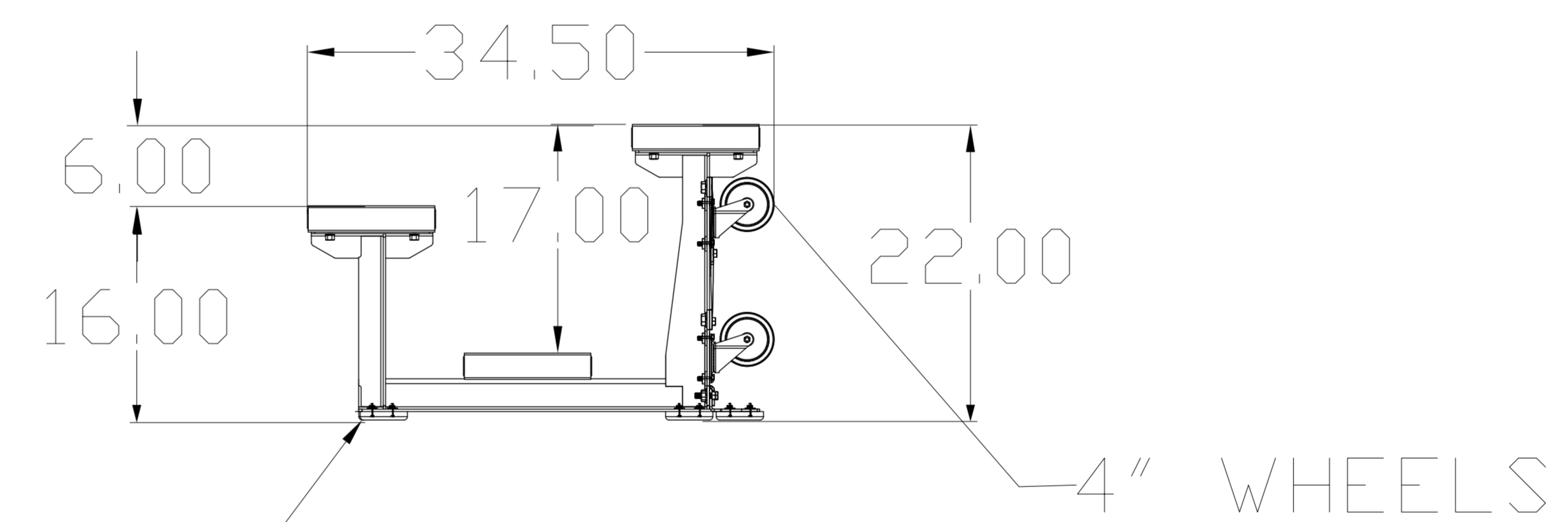


NON MARKING RUBBER FOOTPADS

ALUMINUM END CAPS

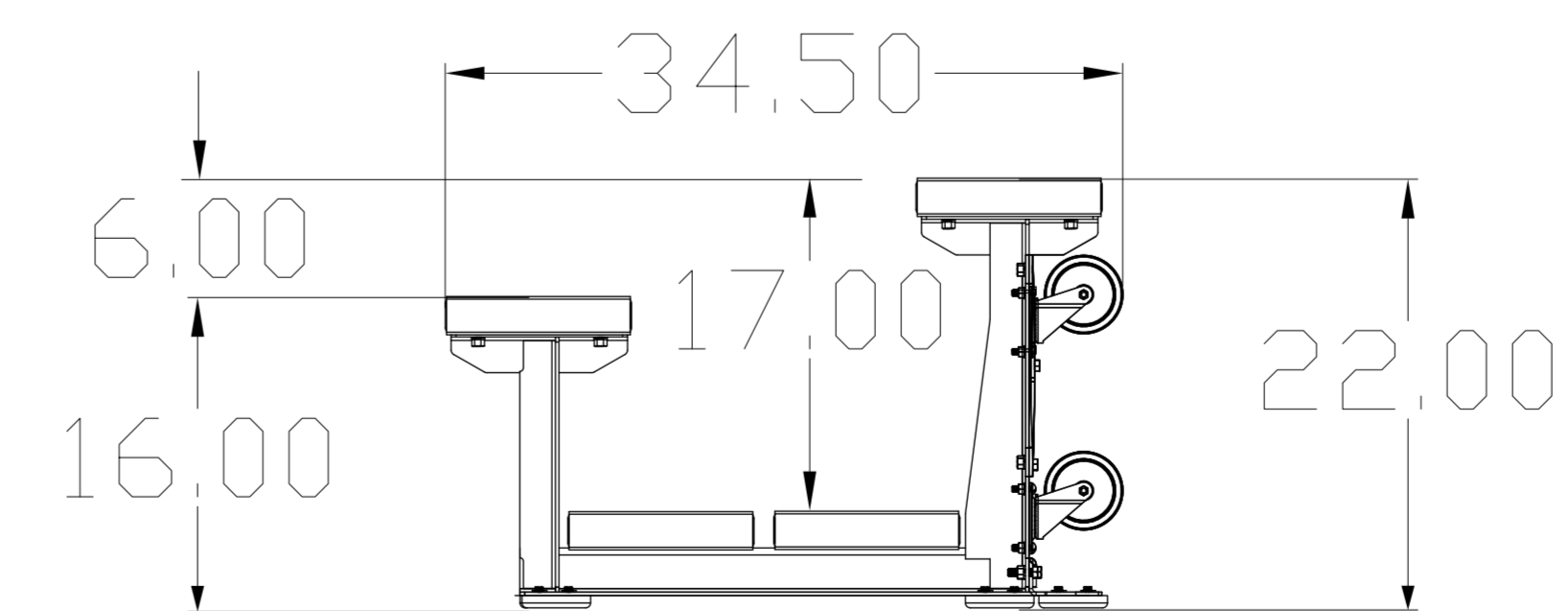


AVAILABLE IN
9', 15' AND 21'
LENGTHS



SINGLE FOOTPLANK OPTION

CUSTOM COLORED PLANKS AVAILABLE UPON
REQUEST FOR AN ADDITIONAL CHARGE



DOUBLE FOOTPLANK OPTION