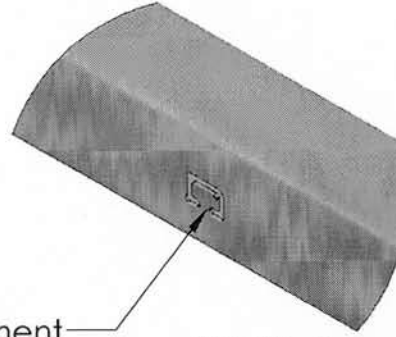


# Golden Goal 44 Sr. Club-PB

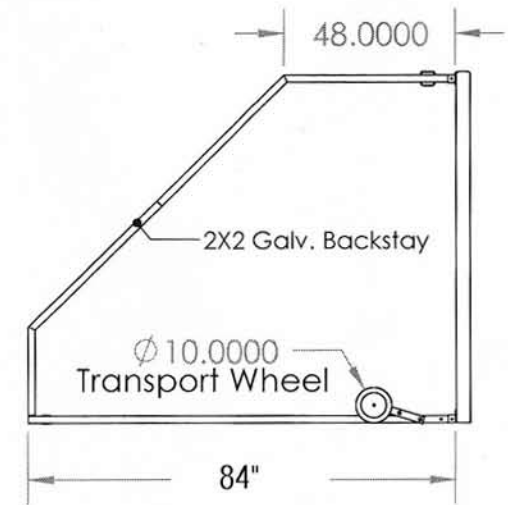
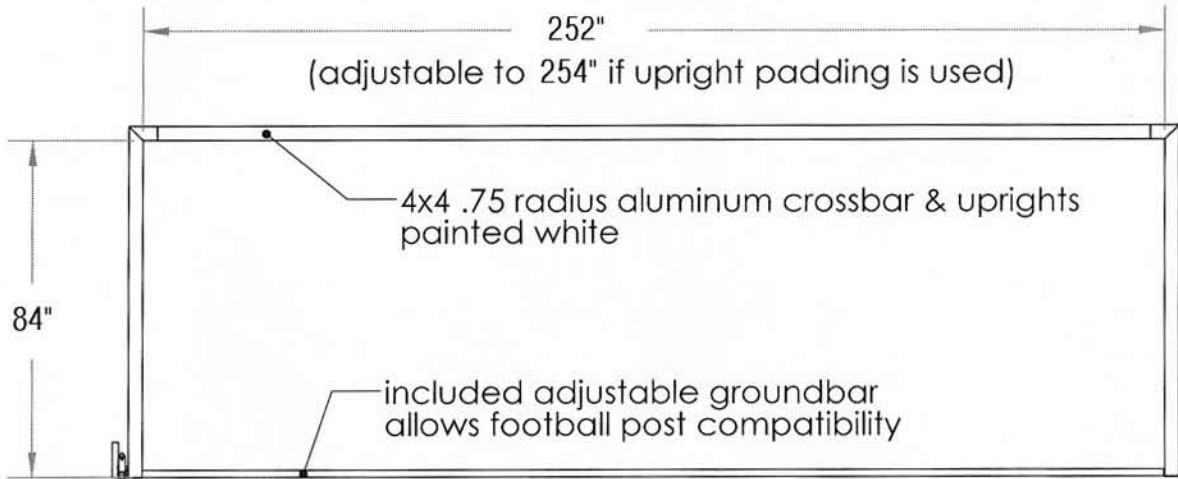
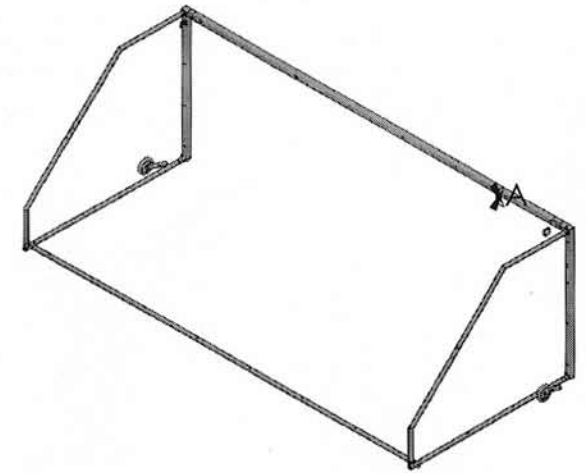
7'H x 21'W x 4'T x 7' B

4"x4" Square Ext. Alum. w/ .75 Radius Corners For Safety  
 Reinforced Corners For Extra Durability  
 Transport Wheels, Net & Rear Tie Downs Included  
 Uprights, Crossbar & Backstay Powder Coated White



Exclusive "Stay-Put" Net Attachment

DETAIL A  
 SCALE 20 : 105



FIRST TEAM SPORTS INC.  
 HUTCHINSON, KS 67501

First Team Dealer: Tom Nicotera  
 Toll Free: 877-272-5430 / Cell: 858-692-1532  
[www.institutionalsportsequipment.com](http://www.institutionalsportsequipment.com)

	NAME	DATE		
DRAWN	JLR		TITLE:	
CHECKED			First Team Sports, Inc.	
ENG APPR.			SIZE	DWG. NO.
MFG APPR.			<b>A</b>	
Q.A.			SCALE: 1:55	WEIGHT
COMMENTS:				SHEET 1 OF 1
				REV